

DESIGNATION EXAMPLE

MSPE2 . 6 - 075 - 25 (25 / 2) - 250 / 50 - 310

Anchor type D S X B T H P Alloy

NOTES:

- Standard alloys: AISI 310, AISI 304; any other on request
- Offered thickness T is up to 3mm. Higher on request

This drawing is the property of KERATECH.
 Unauthorised use of patented features and/ or
 reproduction of this drawing is strictly prohibited

SCALE:

1:1



Nekázanka 11, 112 21 Praha 1
 Czech republic

www.keratech.cz

NAME

MSPE ANCHOR

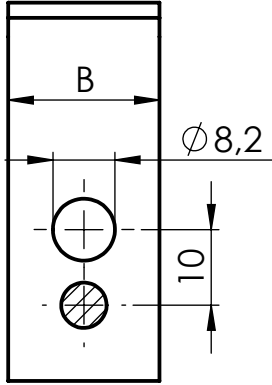
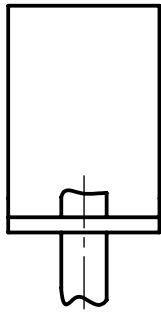
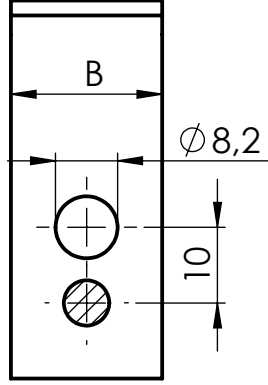
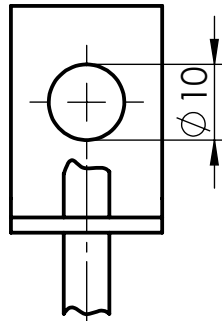
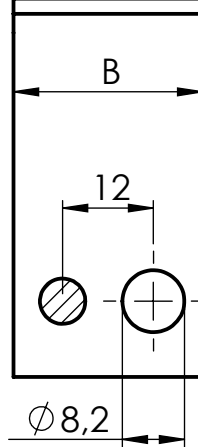
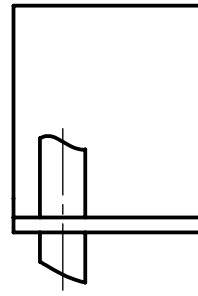
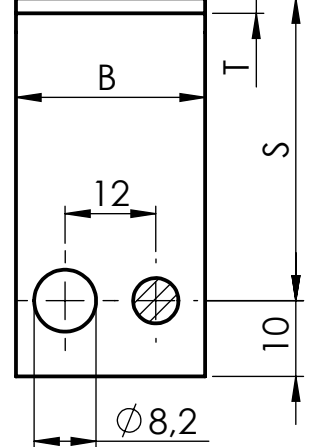
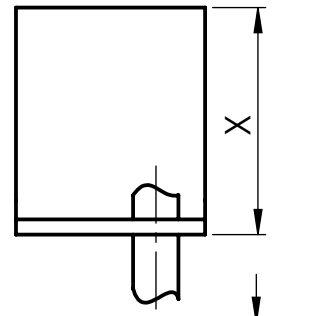
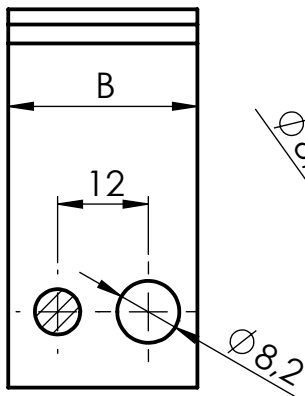
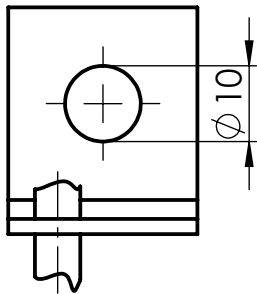
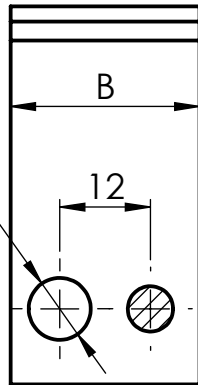
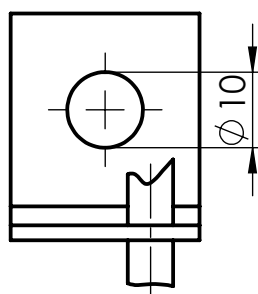
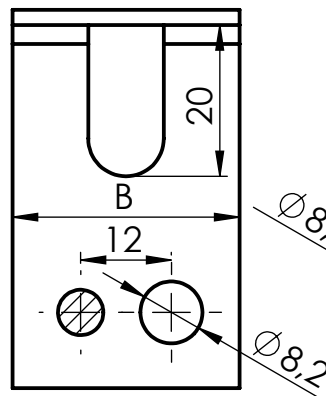
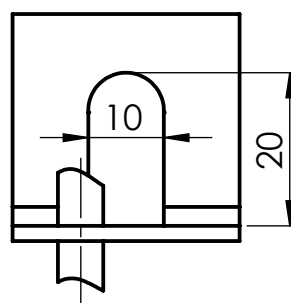
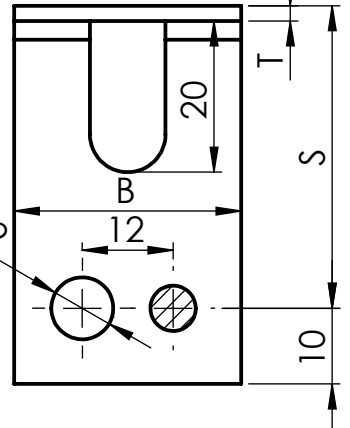
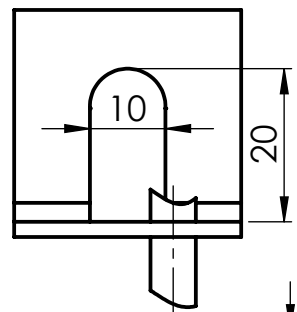
TYPE:

DRAWING NR.

MSPE_OTS

PAGES: 1

PAGE: 1

MSPE1**MSPE2****MSPE3L****MSPE3R****MSPE4L****MSPE4R****MSPE5L****MSPE5R**

This drawing is the property of KERATECH.
 Unauthorised use of patented features and/ or
 reproduction of this drawing is strictly prohibited

SCALE:

1:1



Nekázanka 11, 112 21 Praha 1
 Czech republic

www.keratech.cz

NAME

MSPE ANCHOR

TYPE:

DRAWING NR.

MSPE_OTS

PAGES: 1

PAGE: 1