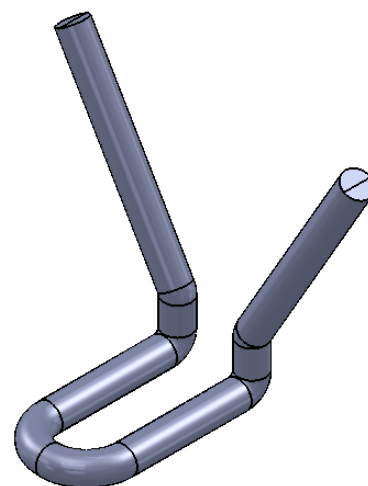


ŘEZ A-A



**DESIGNATION EXAMPLE**

**CWA3 . 5 - 045 - 304**

Anchor type

Diameter D

Length L

Alloy

**NOTES:**

-Standard alloys: AISI 310, AISI 304; any other on request

**WASHERS DIN 125:**

D5= M10, D6=M12, D8=M16

**FOR GUN WELDING**

This drawing is the property of KERATECH.  
 Unauthorised use of patented features and/ or  
 reproduction of this drawing is strictly prohibited

SCALE:

1:1



Nekázanka 11, 112 21 Praha 1  
 Czech republic

www.keratech.cz

NAME

**CWA3 ANCHOR**

TYPE:

DRAWING NR.

**CWA3\_OT5**

PAGES: 1

PAGE: 1